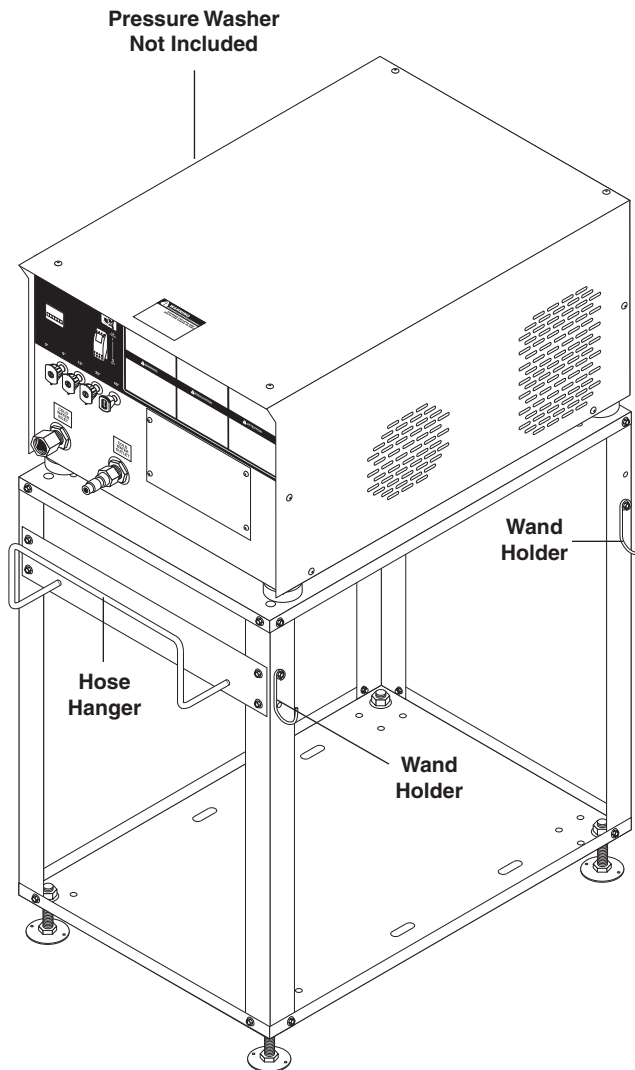


STAINLESS STEEL COLD WATER CABINET FLOOR STAND ASSEMBLY AND INSTALLATION INSTRUCTIONS

Kit #30-635, #30-645



Step 1

Place one (1) panel (#2) with the flange up onto the work surface.

Step 2

Assemble 1/2" nut (#5) and 1/2" flat washer (#4) onto leveling foot and adjust to midway on the leveling foot. Repeat for the other 3 leveling feet, then insert the leveling foot assemblies up through the 1/2" diameter holes in the bottom panel. Install 1/2" flange washers (#6), 1/2" lock washers (#7) and 1/2" nuts (#5) onto the leveling feet and tighten securely.

Step 3

Position the legs (#1) of the stand in corners of the bottom panel and attach with two (2) 1/4" x 1/2" screws (#8) in each leg. Secure with 1/4" flange nut (#9). The ends of the legs with the six (6) holes must be installed up.

Step 4

Place the top panel (#2) onto the four (4) legs (#1) and attach with two (2) 1/4" x 1/2" screws (#8) and two (2) 1/4" flange nuts (#9) through each leg. Check stand for squareness and tighten all of the screws securely.

Step 5

Position hose hanger bracket (#3) on one end of the stand and attach with four (4) 1/4" x 1/2" screws (#8) and four (4) 1/2" flange nuts (#9).

Step 6

Attach one (1) wand holder (#11) to each end of one side of the stand with 1/4" x 3/4" screws (#10), 1/4" flat washer (#15) and 1/4" flange nut (#9).

Step 7

Check stand for levelness and adjust leveling feet as required. Carefully inspect stand to verify that it is stable and rigid.

Step 8

Carefully set the pressure washer onto the pressure washer stand. Fasten to top panel (#2) with supplied 3/8" x 2" bolts (#12) and secure with 3/8" washers (#14) and 3/8" esna nuts (#13). Secure unit further with 5/16" bolt (#16), 1/4" flat washer (#17) and 5/16" esna nut (#18). See Operator's Manual floor set-up procedures.

FLOOR STAND PARTS LIST

ITEM	PART NO.	DESCRIPTION	QTY
1	95-071022961	Leg, Floor Stand, SS	4
2	95-071022971	Panel, Top/Bottom, Floor Stand, SS	2
3	95-071022981	Bracket, Hose Hanger, Floor Stand, SS (30-635 only)	1
4	95-07400066	Foot, Leveling, SS	4
5	90-20083	Nut, 1/2" HEX, NC, SS	8
6	90-40052	Washer, 1/2" Flat SAE, SS	8
7	90-40090	Washer, 1/2" Lock, SS	4
8	90-1806	Screw, 1/4" x 1/2" NC, SS (30-635)	20
	90-10043	Bolt, 1/4" x 3/4", Hex SS (30-645)	16
9	90-200010	Nut, 1/4" Flange, SS (30-635)	22
		(30-645)	18
10	90-1803	Screw, 1/4" x 1-1/4" NC, SS (30-635)	2
	90-10030	Bolt, 1/4" x 1-1/4" Hex, SS (30-645)	2
11	95-07290034	Holder, Wand, Zinc Plated	2
12	90-10200	Bolt, 3/8" x 2", NC HH", SS	2
13	90-20021	Nut, 3/8", ESNA, NC, SS	2
14	90-40021	Washer, 3/8" SAE, Flat, SS	4
15	90-40000	Washer, 1/4" Flat, SAE, SS	22
16	90-10123	Bolt, 5/16" x 2-1/2", NC, HH, SS	2
17	90-40010	Washer, 5/16" Flat, SAE, SS	2
18	90-20010	Nut, 5/16" ESNA, NC, SS	2

FLOOR STAND EXPLODED VIEW

