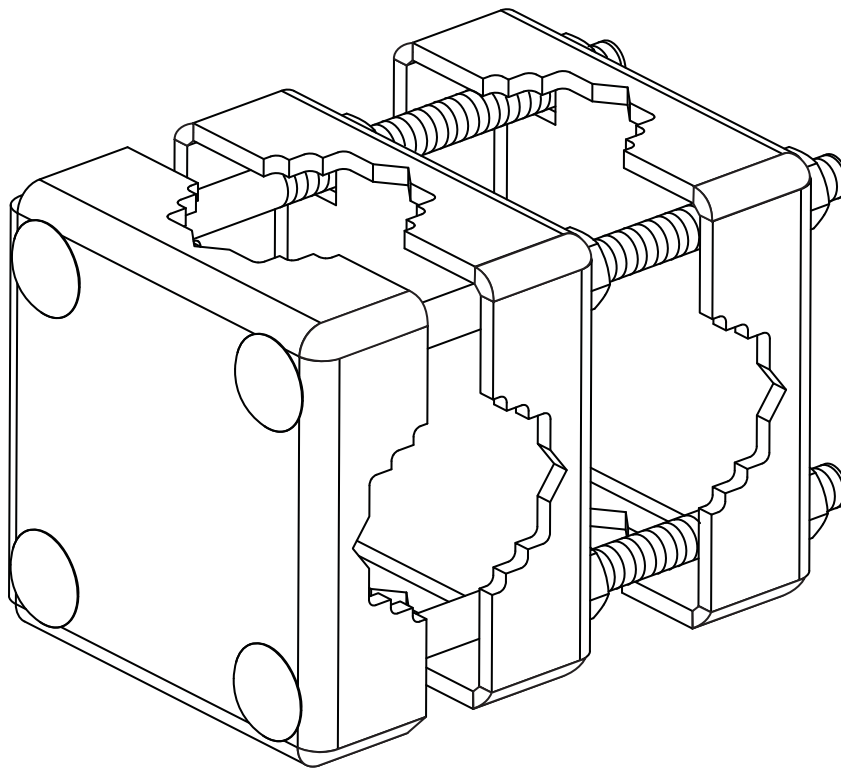


HOSE REEL UNIVERSAL MOUNTING BRACKET

INSTRUCTION SHEET



MODEL #

UNIVERSAL BRACKET SUPPORT KIT

ORDER #

8.776-018.0

CONTENTS

Contents	2
Model and Dealer Data Log.....	2
Exploded View	3
Exploded View & Parts List.....	3
Mounting Configurations.....	4

Model and Dealer Data Log

Model Number _____

Date of Purchase _____

Dealer _____

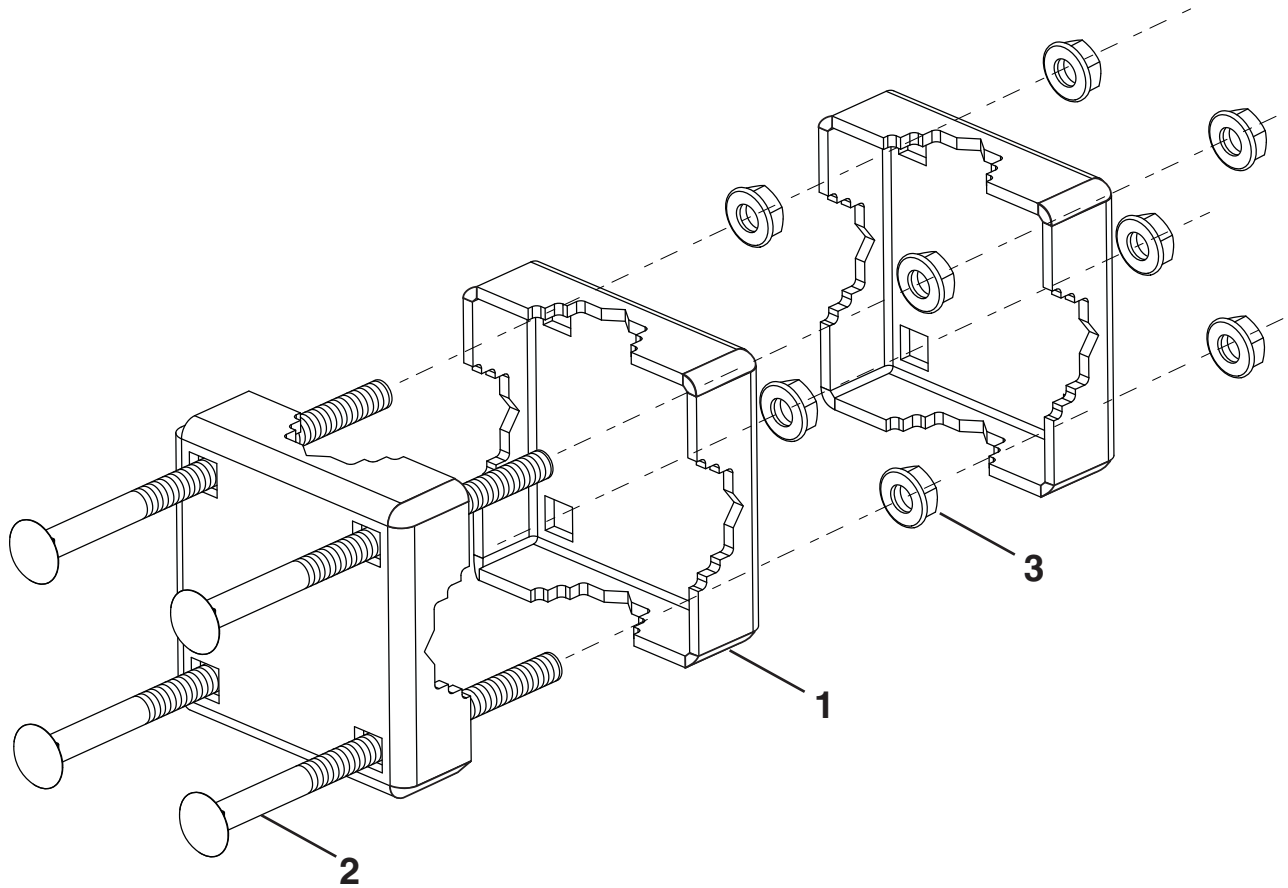
Address _____

Phone Number _____

Note: Fill in the Data Log upon receipt of your new accessory.

Parts may be ordered from your dealer. When placing an order for parts, the part number, model and order number must be included.

EXPLODED VIEW

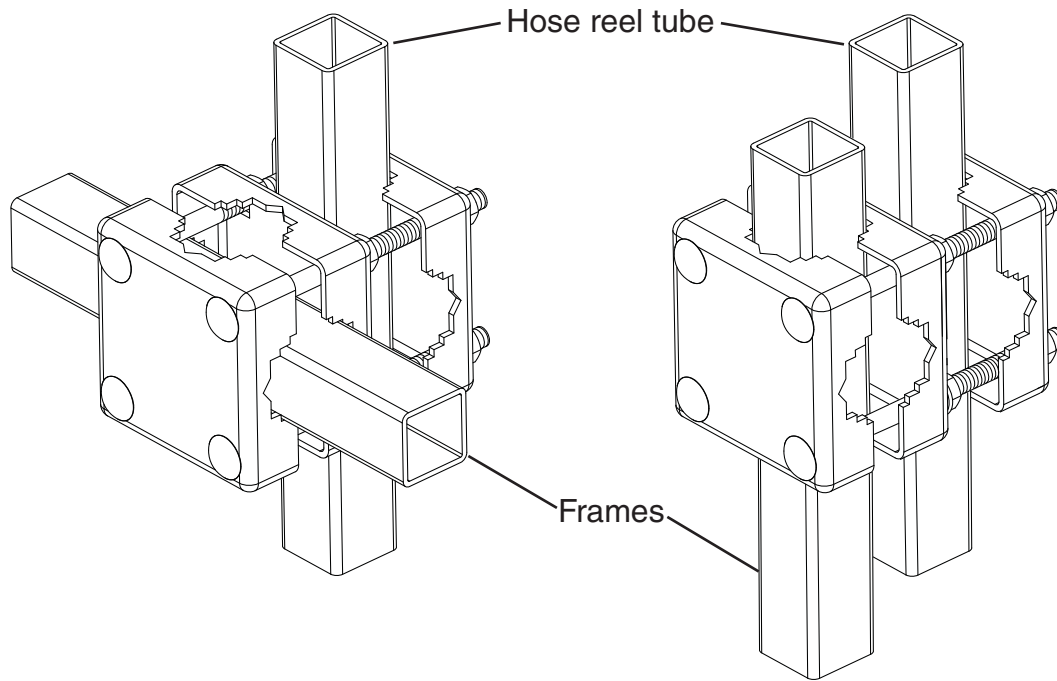


EXPLODED VIEW PARTS LIST

ITEM	PART #	DESCRIPTION	QTY
1	8.918-000.0	Bracket	3
2	8.733-011.0	Carriage Bolt 5/16"-18 x5" Zinc Plated	4
3	9.802-778.0	Nut Whiz Lock 5/16" Flange	8

MOUNTING CONFIGURATIONS

Horizontal & Vertical Configurations With Square Tube Frames



Vertical Configurations With Round Tube Frames

