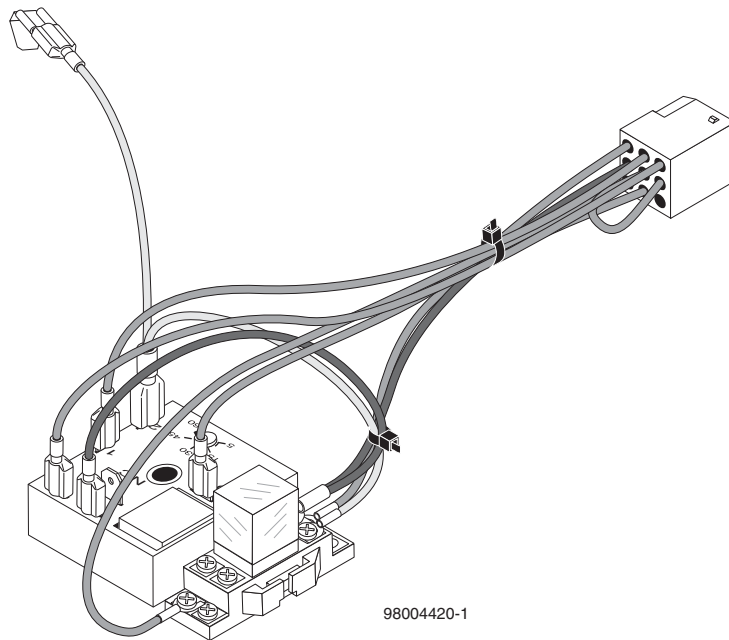
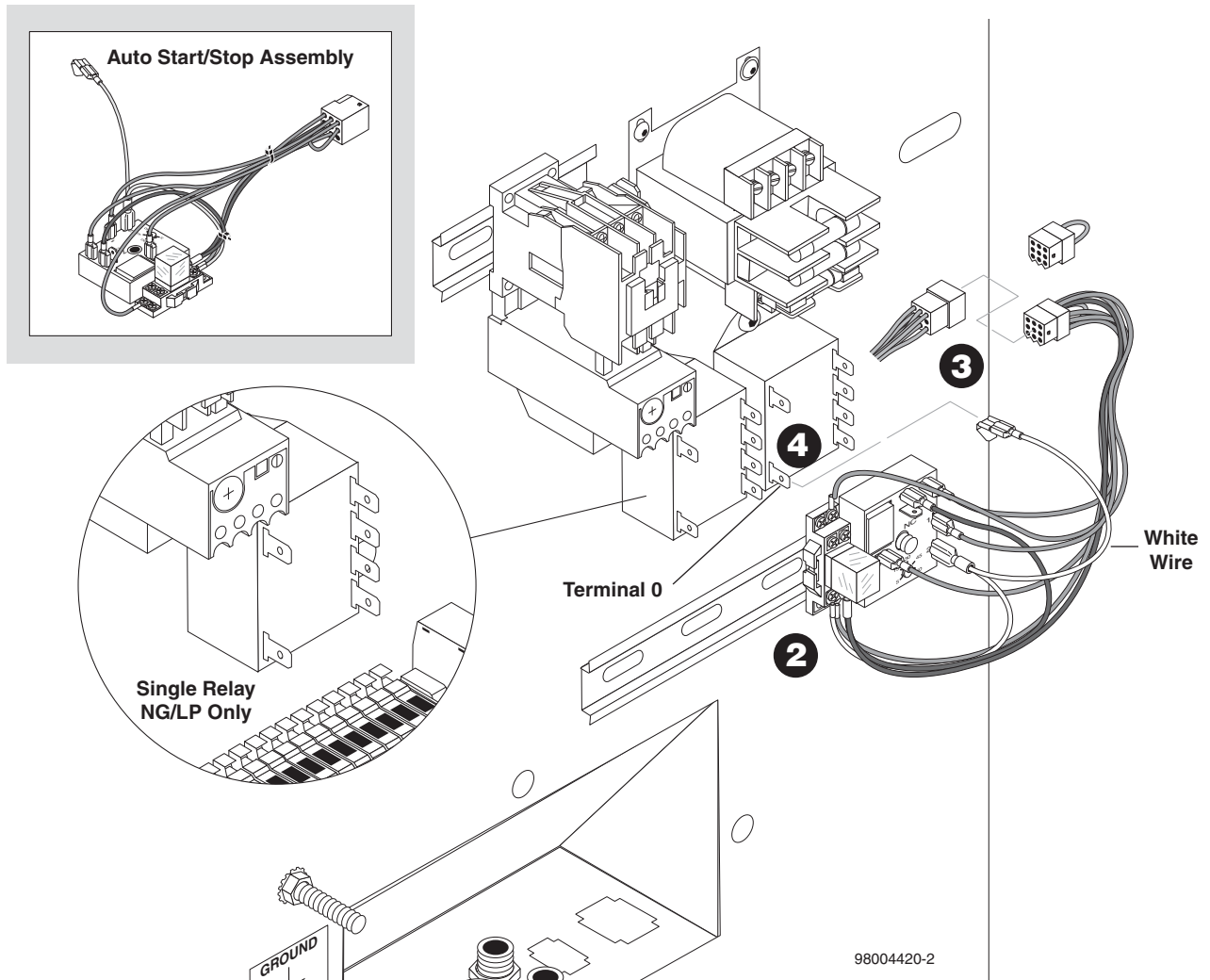


Auto Start/Stop Kit Instructions

Kit # 8.917-507.0



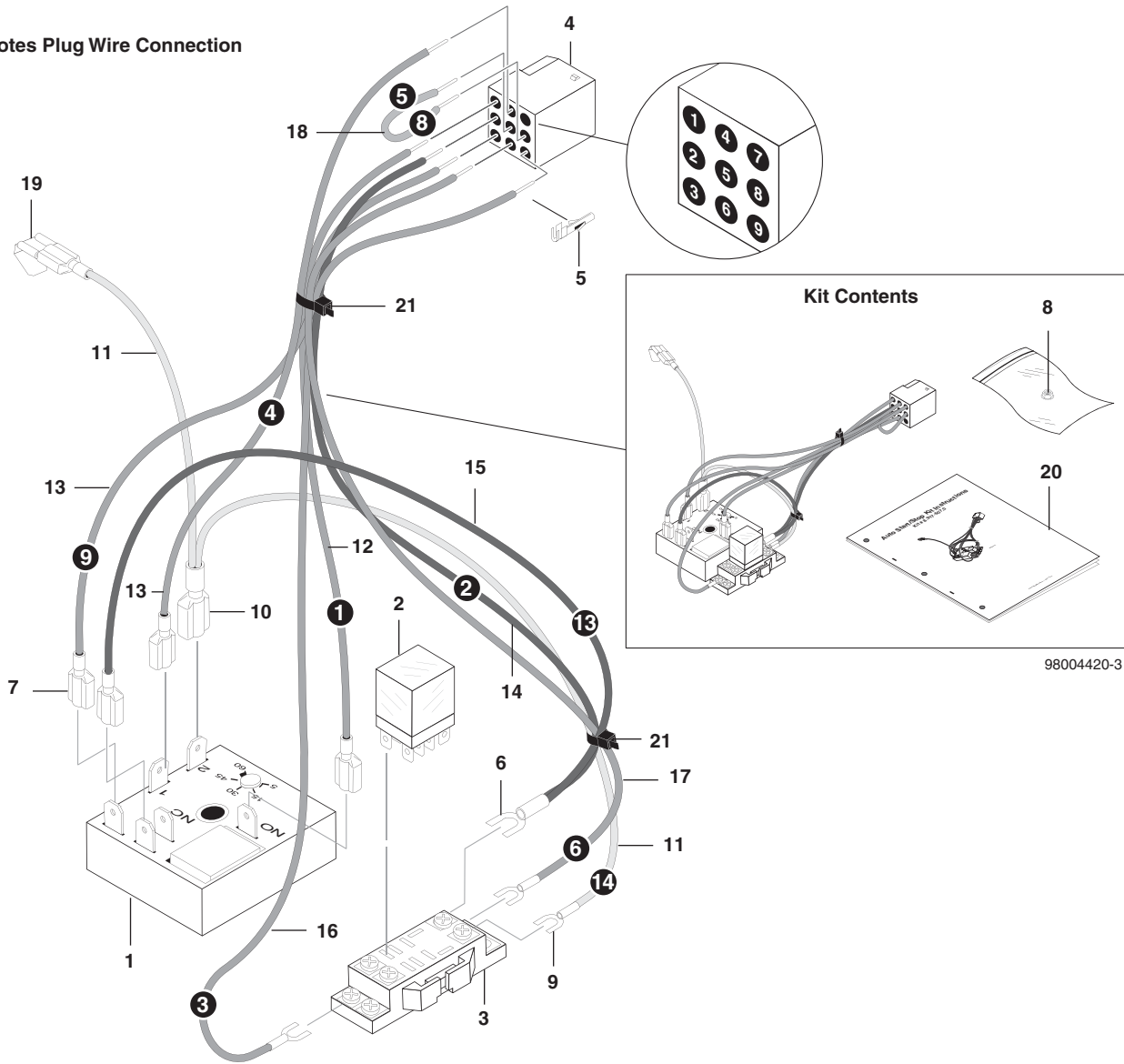
AUTO START/STOP INSTALLATION INSTRUCTIONS



- Step 1: Remove front electrical panel access cover.
- Step 2: Snap relay base onto DIN rail next to terminal blocks. Slide the auto start timer onto the long screw and secure with provided keps nut (item 8, #9.802-696.0).
- Step 3: Remove the jumper plug from existing 9-pin connector and discard. Plug connector from auto start kit into existing connector.
- Step 4: Unplug wire from terminal 0 on relay #2. (oil fired) or Relay #1 (NG/LP). Plug white wire from auto start kit (with attached double spade connector, item 19, #8.716-512.0) onto terminal 0. Plug existing white wire onto disconnect.
- Step 5: Replace front electrical panel access cover. Test machine.

AUTO START STOP EXPLODED VIEW

1 Denotes Plug Wire Connection



98004420-3

ITEM	PART NO.	DESCRIPTION	QTY
1	9.802-472.0	Timer, Sol State 24-240V 5-60 Min Adjustable Lockout	1
2	8.716-230.0	Relay, 24V, Finder	1
3	9.802-467.0	Base, Relay, SH2B-05, IDEC	1
4	8.713-699.0	Connector-Electrical 9 Pin Male	1
5	8.713-604.0	Connector, Electrical Pin Female 8	1
6	8.716-454.0	Terminal, Frk Tongue, Ins, RC10-10F	1
7	9.804-069.0	Disconnect, Fem Fully Ins, .250 Blue	5
8	9.802-696.0	Nut, 10/32" NF ST ST Keps	1
9	8.716-452.0	Terminal, Fork Tongue, Ins, RB14-8F	3
10	9.804-071.0	Disconnect, Fem Fully Ins, .250, Yellow	1

ITEM	PART NO.	DESCRIPTION	QTY
11	8.715-974.0	Wire, MTW, 16 GA, White, 6"	2
12	9.804-073.0	Wire, MTW, 16 Ga., Red, 8"	1
13	9.804-073.0	Wire, MTW, 16 Ga., Red, 5-3/4"	2
14	9.804-073.0	Wire, MTW, 16 Ga., Red, 10-1/2"	1
15	9.804-073.0	Wire, MTW, 16 Ga., Red, 7-1/2"	1
16	9.804-073.0	Wire, MTW, 16 Ga., Red, 8-3/4"	1
17	9.804-073.0	Wire, MTW, 16 Ga., Red, 11-1/2"	1
18	9.804-073.0	Wire, MTW, 16 Ga., Red, 3/4"	1
19	8.716-512.0	Disconnect, Male/Fem/Male, 3M, MA250DMFMX	1
20	9.800-442.0	Instruction Sheet, Auto Start/Stop Kit	1
21	9.802-510.0	Cable Tie, 4" Black	2

AUTO START/STOP WIRING DIAGRAM

