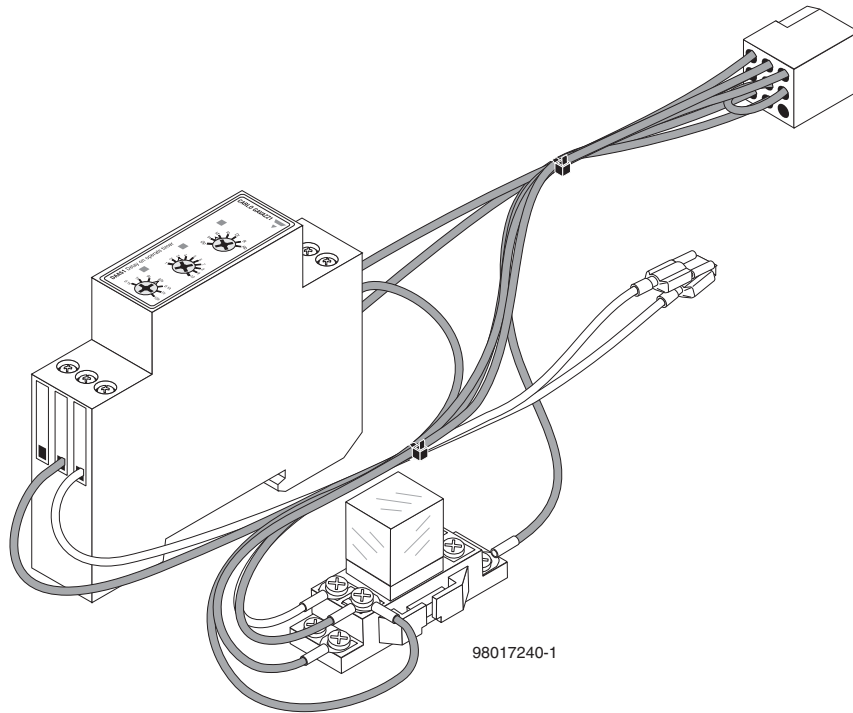
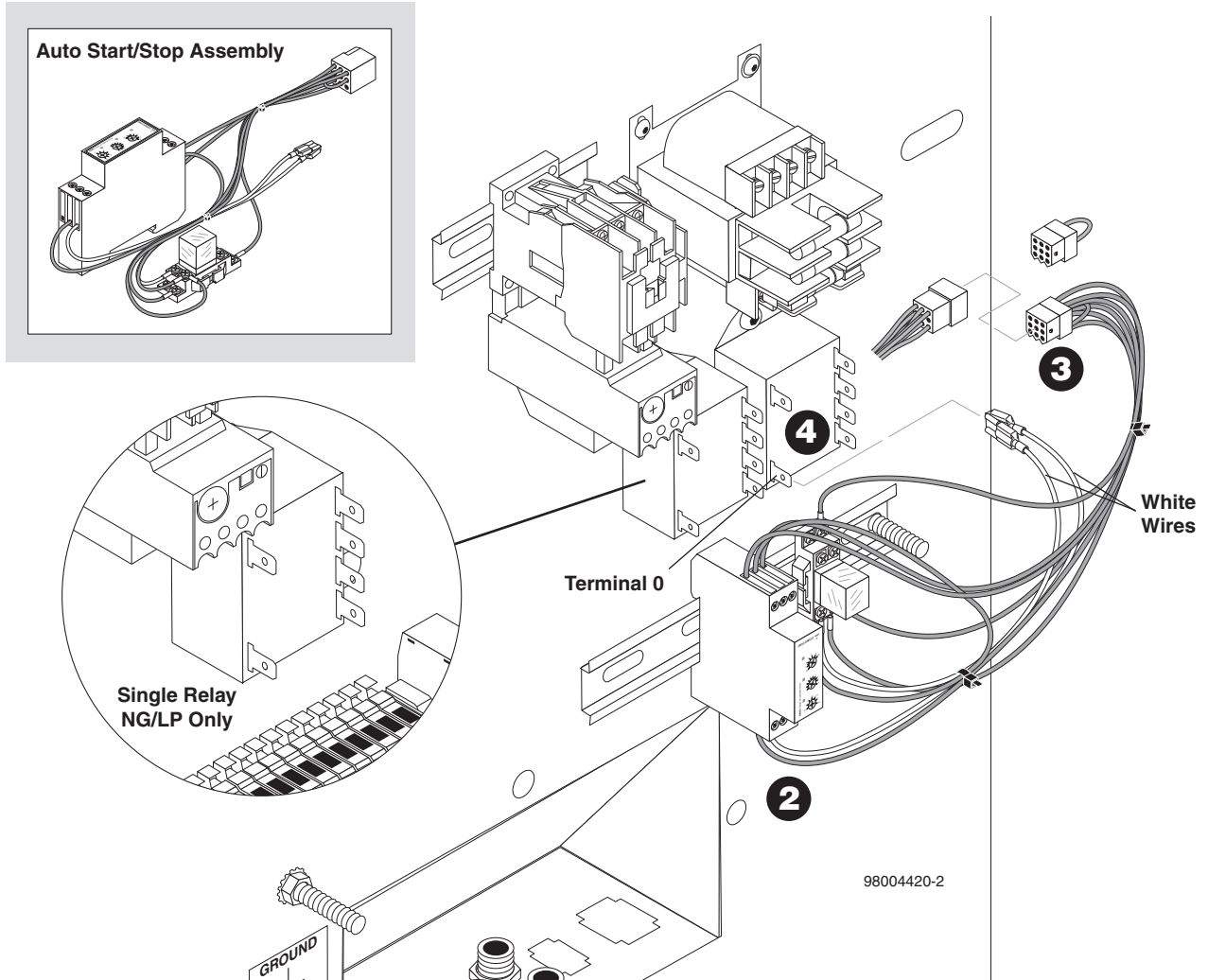


Auto Start/Stop Kit Instructions

Kit # 9.807-646.0

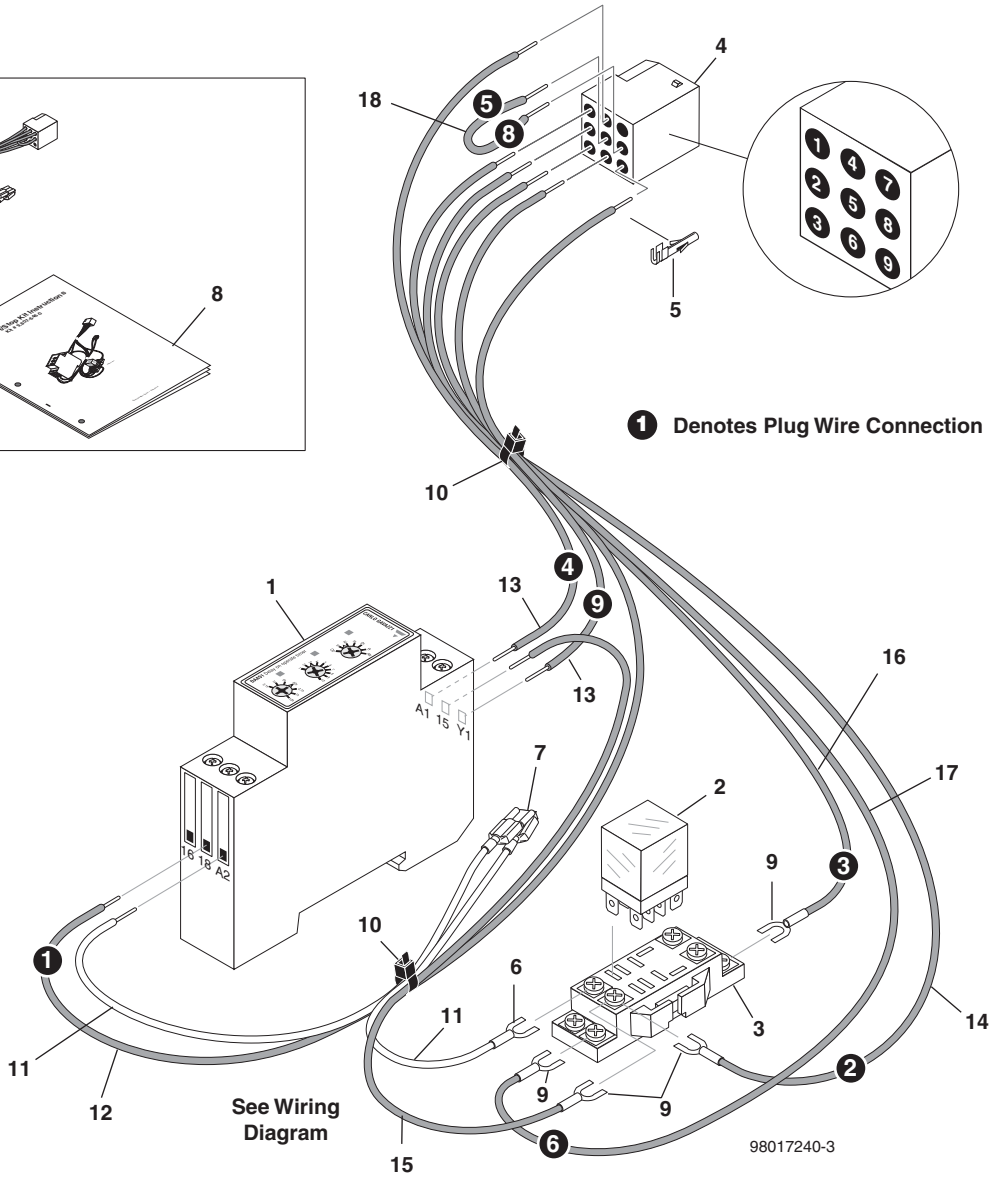
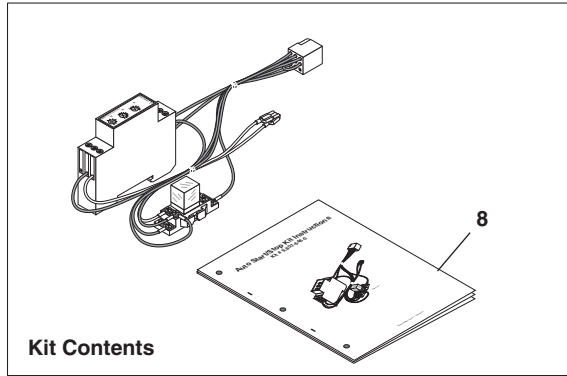


AUTO START/STOP INSTALLATION INSTRUCTIONS



- Step 1: Remove front electrical panel access cover.
- Step 2: Snap relay base onto DIN rail next to terminal blocks. Slide the auto start timer onto the long screw and secure with provided keps nut (item 8, #9.802-696.0).
- Step 3: Remove the jumper plug from existing 9-pin connector and discard. Plug connector from auto start kit into existing connector.
- Step 4: Unplug wire from terminal 0 on relay #2. (oil fired) or Relay #1 (NG/LP). Plug white wire from auto start kit (with attached double spade connector, item 19, #8.716-512.0) onto terminal 0. Plug existing white wire onto disconnect.
- Step 5: Replace front electrical panel access cover. Test machine.

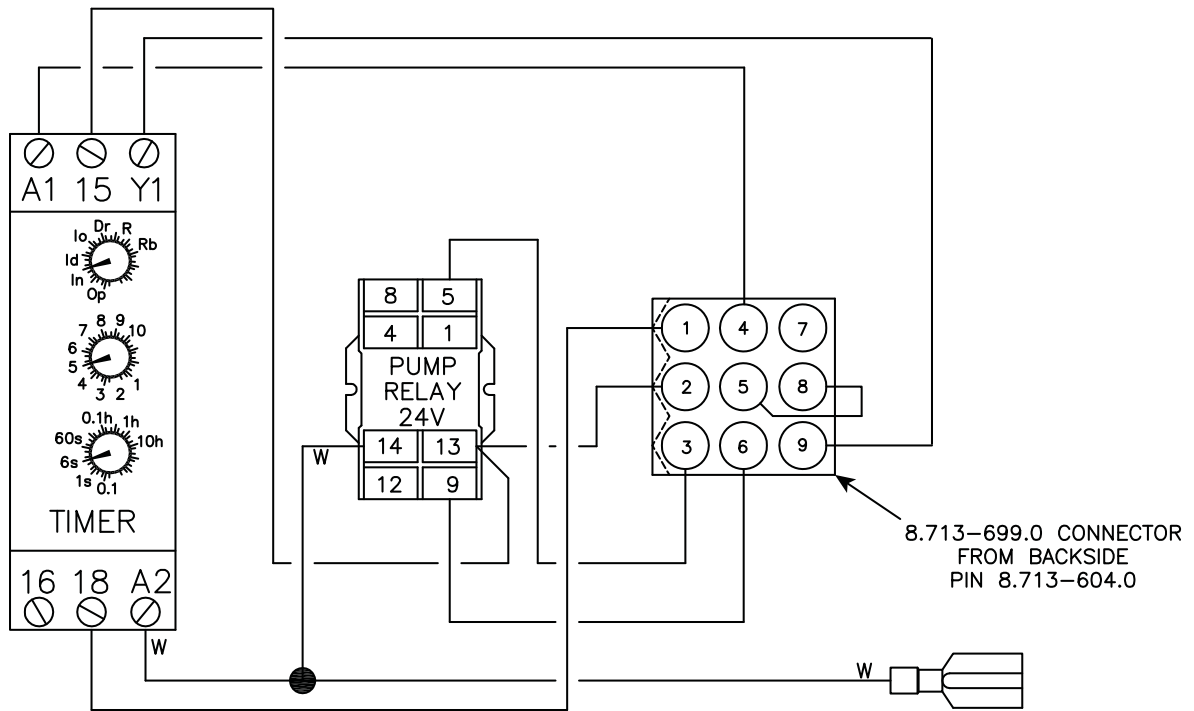
AUTO START STOP EXPLODED VIEW & PARTS LIST



| ITEM | PART NO. | DESCRIPTION | QTY |
|------|-------------|--|-----|
| 1 | 8.751-919.0 | Timer, Muti Function 4-240 VAC | 1 |
| 2 | 8.716-230.0 | Relay, 24V, Finder | 1 |
| 3 | 9.802-467.0 | Base, Relay, SH2B-05, IDEC | 1 |
| 4 | 8.713-699.0 | Connector-Electrical 9 Pin Male | 1 |
| 5 | 8.713-604.0 | Connector, Electrical Pin Female 8 | |
| 6 | 8.716-454.0 | Terminal, Frk Tongue, Ins, RC10-10F | 1 |
| 7 | 8.716-512.0 | Disconnect, Male/Female/Male .3M, MA250DFMX | 2 |
| 8 | 9.800-442.0 | Instruction Sheet, Auto Start/Stop Kit | 1 |

| ITEM | PART NO. | DESCRIPTION | QTY |
|------|-------------|--|-----|
| 9 | 8.716-452.0 | Terminal, Fork Tongue, Ins, RB14-8F | 4 |
| 10 | 9.802-510.0 | Cable Tie, 4" Black | 2 |
| 11 | 8.715-974.0 | Wire, MTW, 16 GA, White, 6" | 2 |
| 12 | 9.804-073.0 | Wire, MTW, 16 Ga., Red, 8" | 1 |
| 13 | 9.804-073.0 | Wire, MTW, 16 Ga., Red, 5-3/4" | 2 |
| 14 | 9.804-073.0 | Wire, MTW, 16 Ga., Red, 10-1/2" | 1 |
| 15 | 9.804-073.0 | Wire, MTW, 16 Ga., Red, 7-1/2" | 1 |
| 16 | 9.804-073.0 | Wire, MTW, 16 Ga., Red, 8-3/4" | 1 |
| 17 | 9.804-073.0 | Wire, MTW, 16 Ga., Red, 11-1/2" | 1 |
| 18 | 9.804-073.0 | Wire, MTW, 16 Ga., Red, 3/4" | 1 |

AUTO START/STOP WIRING DIAGRAM



NOTE:
 USING 8.716-512.0,
 ATTACH THIS WIRE TO
 TERMINAL #0 ON RELAY #2