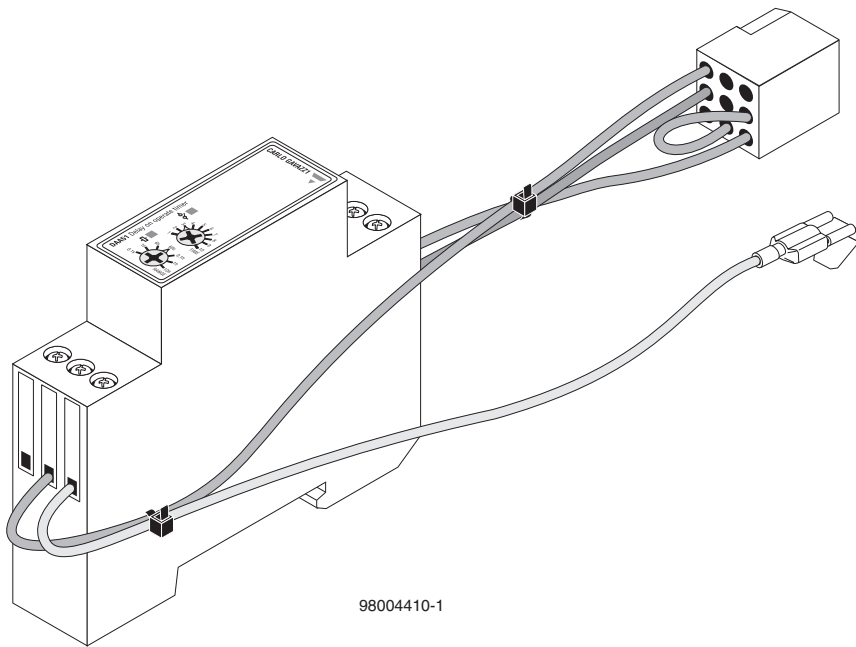


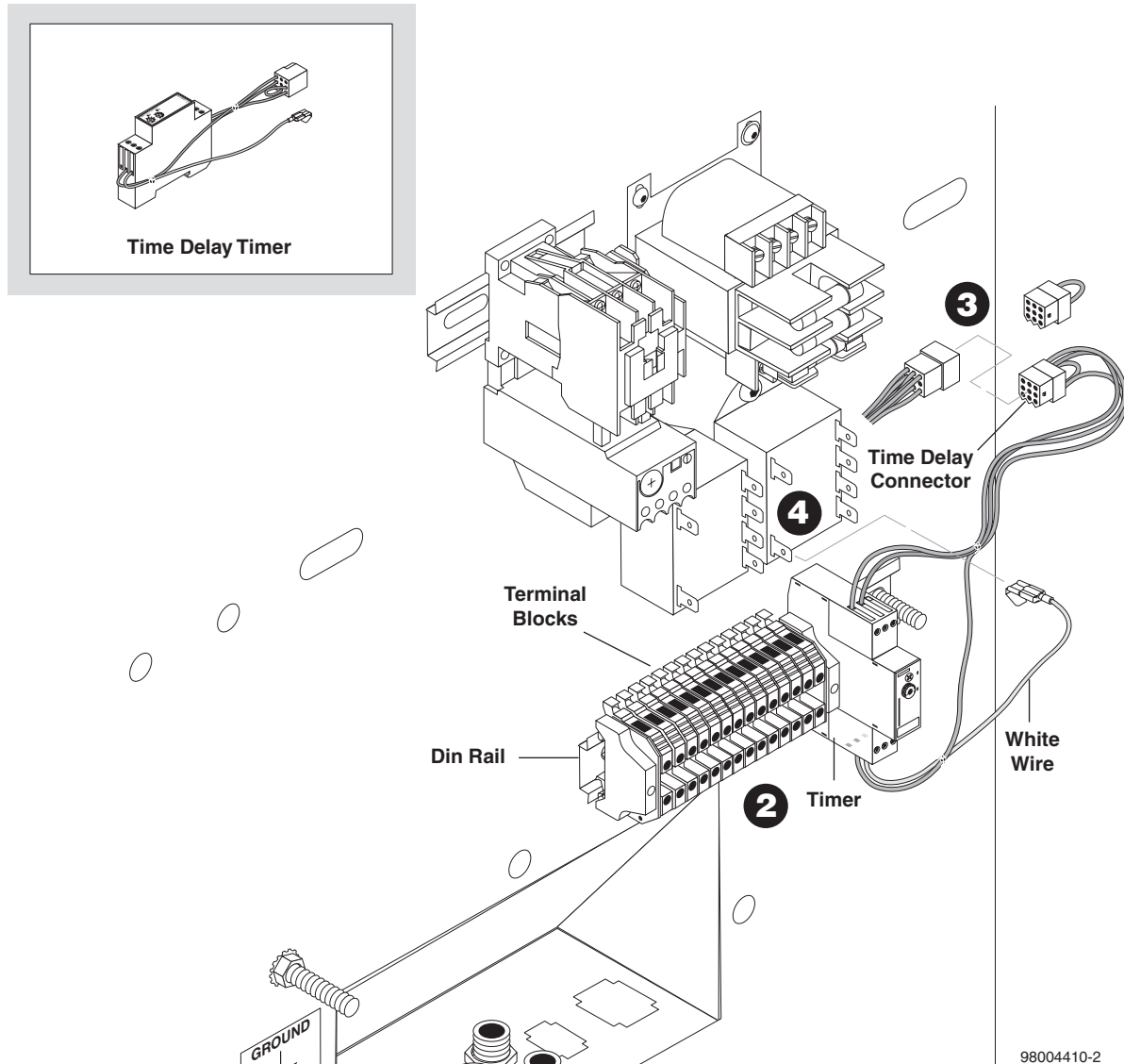
Time Delay Kit Instructions

Kit # 8.917-508.0



98004410-1

TIME DELAY INSTALLATION INSTRUCTIONS

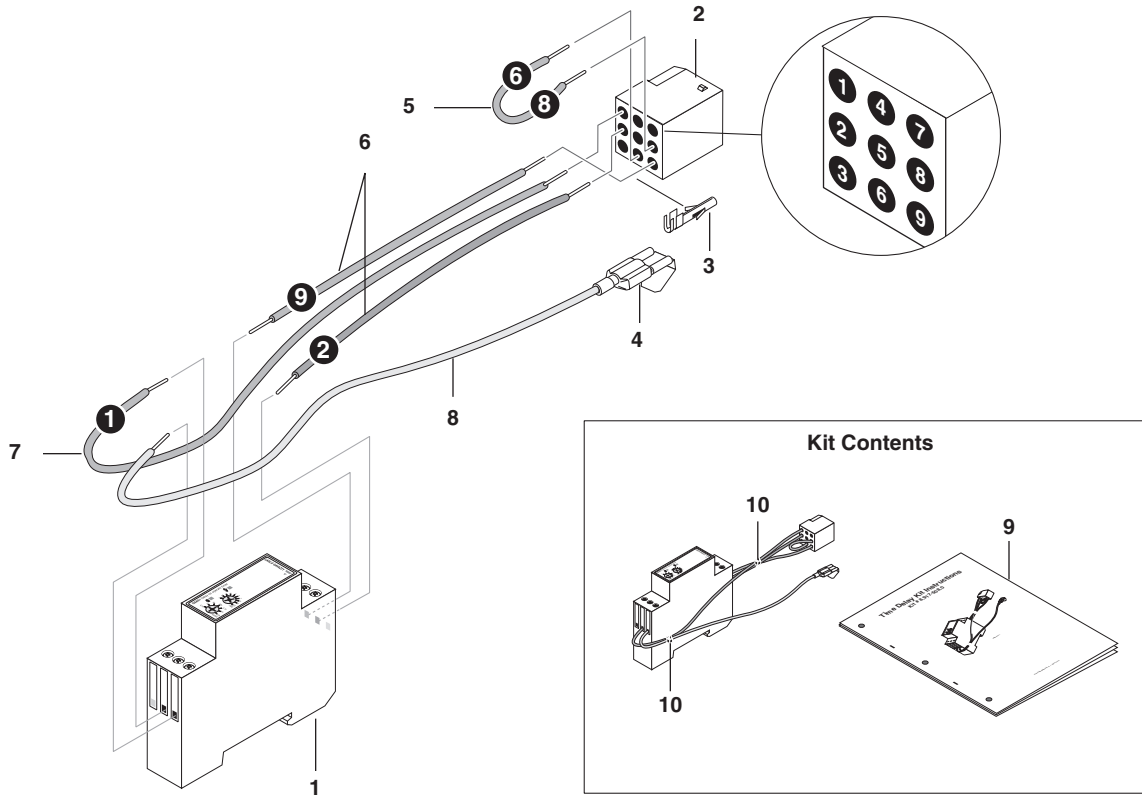


98004410-2

- Step 1: Remove front electrical panel access cover.
- Step 2: Snap time delay timer onto DIN rail next to terminal blocks.
- Step 3: Remove the jumper plug from existing 9-pin connector and discard. Plug connector from time delay kit into existing connector.
- Step 4: Unplug wire from terminal 0 on relay #2. Plug white wire from time delay kit (with attached 8.716-512.0 double spade disconnect) onto terminal 0. Plug existing white wire onto disconnect.
- Step 5: Replace front electrical panel access cover. Test machine.

TIME DELAY EXPLODED VIEW

1 Denotes Plug Wire Connection



98004410-3

ITEM	PART NO.	DESCRIPTION	QTY
1	8.751-306.0	Timer, Multi-Function, 24V-120/240V 5A	1
2	8.713-699.0	Connector, Electrical 9 Pin Male	1
3	8.713-604.0	Connector, Electrical Pin Female	5
4	9.804-069.0	Disconnect, Fem Fully Ins., .250 Blue	1
5	9.804-073.0	Wire, MTW, 16 Ga., Red, 3.5 "	1
6	9.804-073.0	Wire, MTW, 16 Ga., Red, 6.5 "	1
7	9.804-073.0	Wire, MTW, 16 Ga., Red, 12"	1
8	8.715-974.0	Wire, MTW, 16 Ga., White, 9"	1
7	8.716-512.0	Disconnect, Male/Fem/Male, 3M, MA250DMFMX	1
8	8.917-618.0	▲ Label, Snap & Go, Time Delay Kit	1
9	9.800-441.0	Instruction Sheet, Time Delay Kit	1
10	9.802-510.0	Cable Tie, 4" Black	2

▲ Not Shown

TIME DELAY WIRING DIAGRAM

