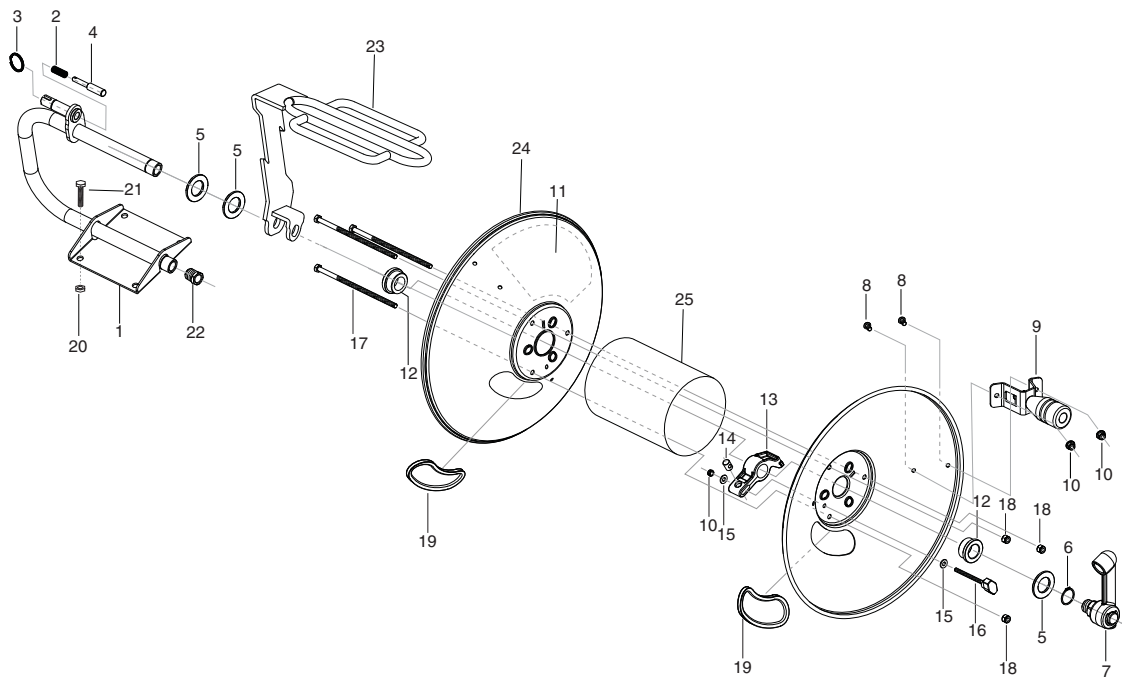




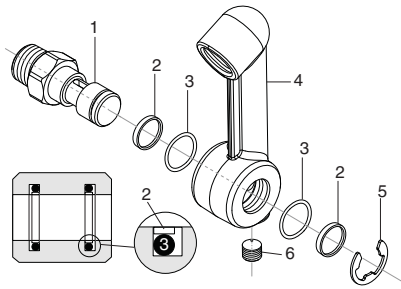
Hose Reel Instructions

#8.750-682.0 100 Ft. Hose Reel Fixed • #8.750-683.0 200 Ft. Pivot Hose Fixed



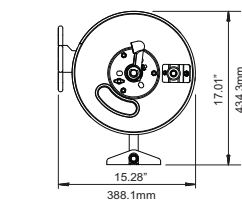
ITEM	PART NO.	DESCRIPTION	KIT	QTY	ITEM	PART NO.	DESCRIPTION	QTY
1	9.116-009.0	Fixed base 100 ft		1	15	9.802-802.0	Washer Flat 1/4"	2
	9.116-015.0	Fixed base 200 ft		1	16	9.134-140.0	Tension Adjuster Knob	1
2		Spring	A	1	17	9.196-056.0	Screw 5/16" x 6.0", Hex Head, Niquel Plated	3
3		Ring	A	1		9.196-060.0	Screw 5/16" x 8.0", Hex Head, Niquel Plated	3
4		Pin	A	1	18	9.197-002.0	Nylock nut 5/16"	3
5	9.198-017.0	Flat Washer 1.0 ID X 2.00 OD		3	19	8.706-577.0	Trim, Edge Guard, Black	2
6	9.182-005.0	Retaining Ring 1.0 Shaft		1	20	9.802-778.0	Nut, WHIZ loc 5/16" Flange	4
7	9.118-020.0	Extended Swivel Assembly (see next page)		1	21	8.718-772.0	Screw, 5/16"x 1-1/2" WHIZ	4
8	9.196-059.0	Button Head Screw, SS 1/4"-20x1/2"		2	22	8.706-294.0	Bushing Reductor 1/2"- 3/8" NPT Steel	1
9	9.121-043.0	Handle Assembly		1	23	9.116-010.0	Hose Guide 100 ft	1
10	9.197-010.0	Nylock Flange Nut 1/4"-20		3		9.116-016.0	Hose Guide 200 ft	1
11	9.138-436.0	Karcher Branding Label		1	24	9.116-013.0	Plate 100 ft	2
12	9.134-138.0	Plastic Bushing 1.0 ID		2		9.116-019.0	Plate 200 ft	2
	9.139-374.0	Kit A - Lock Pin Spare Part Kit HR			25	9.116-011.0	Drum 100 ft	1
13	9.134-139.0	Plastic Tension Adjuster		1		9.116-017.0	Drum 200 ft	1
14	9.152-021.0	Threaded Barrel		1				

EXTENDED SWIVEL ASSEMBLY EXPLODED VIEW & PART LIST

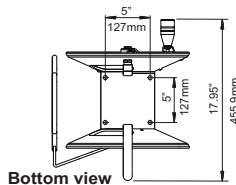


ITEM	PART NO.	DESCRIPTION	KIT	QTY
1		Swivel Shaft Male 1/2" NPT	C	1
2		PTFE SEAL	B,C	2
3		O' Ring A-019	B,C	2
4		Extended Swivel Machined	C	1
5		"E" Clip Retaining Ring	B,C	1
6		Plug 1/8" Countersunk	C	1
		8.776-001.0 Kit B-Swivel Repair Kit		
		8.776-010.0 Kit C-Swivel Complete Replacement Kit		

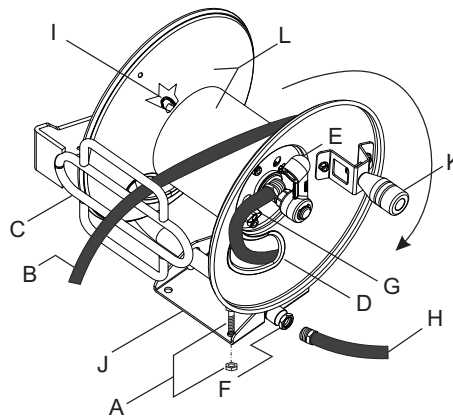
COMPONENT IDENTIFICATION AND INSTRUCTIONS



Front view



Bottom view



- A. Screws and nuts
- B. Output hose
- C. Hose guide
- D. Pass hole
- E. Swivel
- F. Bushing reductor
- G. Tension knob
- H. Water supply hose
- I. Lock pin for reel
- J. Fixed base
- K. Handle
- L. Reel

INSTALLATION INSTRUCTION MOUNTING

1. Check reel for shipping damage. Check operation turning reel by hand. Verify hose reel comes complete.
2. Mount base (J) on a proper surface to be fixed using four screws and nuts (A).

CONNECTING HOSES

WARNING: Before operation make sure that pressure system does not exceed maximum working pressure rating of reel.

NOTE: Pipe thread sealant is required to be applied on all threads.

1. Connect water supply hose (H) to Bushing reductor (F).
2. Route output hose (B) through hose guide (C) and pass hole (D).
3. Thread output hose (B) to swivel (E) Tighten securely.

4. Extend hose and wind onto reel (L) turning the handle (K) with the lock pin (I) unlocked, lock reel (L) when not used.

ADJUSTMENTS REEL TENSION

Adjust reel tension by tightening or loosening plastic knob (G).

SERVICE INSTRUCTIONS

For hose reel maintenance and to prevent personal injury and/or equipment damage and avoiding the warranty, please refer only to an authorized service distributor.

REPLACING HOSES

1. To replace hoses follow procedures given under "Connecting Hoses".