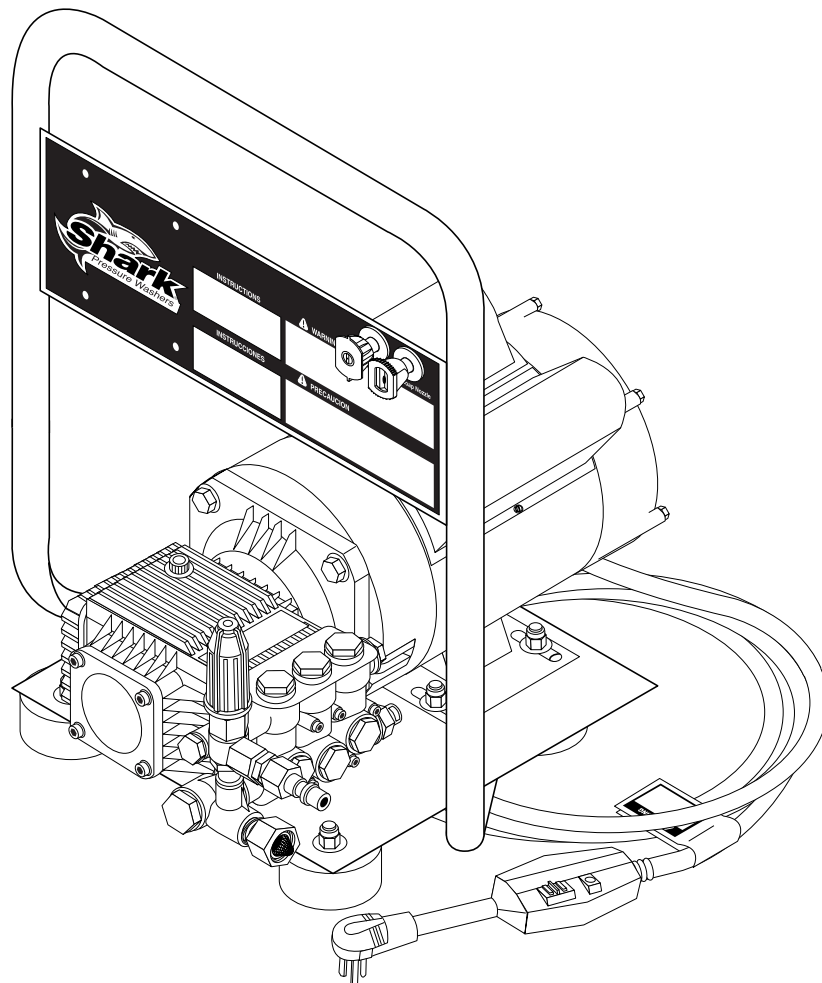




MODEL: HE

OPERATING INSTRUCTION AND PARTS MANUAL

■ HE-2010 ■ HE-2512 ■ HE-3010



SHARK PRESSURE WASHERS ■ 4275 N.W. Pacific Rim Blvd. ■ Camas, WA 98607 ■ USA

For technical assistance or the Shark Dealer nearest you, call 1-800-771-1881.

MACHINE SPECIFICATIONS

- **Pump Volume At Pump Head:**

HE-2010 2.0 GPM
 HE-2512 2.5 GPM
 HE-3010 2.8 GPM

- **Total Machine Amperage:**

HE-2010 15 Amps
 HE-2512 20 Amps
 HE-3010 20 Amps

- **Pump Pressure At Pump Head:**

HE-2010 1000 PSI
 HE-2512 1200 PSI
 HE-3010 1000 PSI

- **Shipping Weight:**

HE-2010 80 Lbs.
 HE-2512 80 Lbs.
 HE-3010 80 Lbs.

- **Machine Voltage:**

HE-2010 120V/1PH
 HE-2512 120V/1PH
 HE-3010 120V/1PH

- **Machine Dimensions:**

HE-2010	Length = 16"	Width = 23.5"	Height = 22"
HE-2512	Length = 16"	Width = 23.5"	Height = 22"
HE-3010	Length = 16"	Width = 23.5"	Height = 22"

CONTENTS

Introduction	5	Exploded View	10
Important Safety Information	5-6	Exploded View, Parts List	11
Pre-Operation Checklist	5	Hose & Spray Gun Assembly	12
Set-Up Procedures	6	Downstream Injector Assembly	13
Operating Instructions	6	Troubleshooting	14
Component Identification	7	Preventative Maintenance	15
General Washing Techniques	8	Oil Change Record	15
Shut-Down Procedures	8	Warranty	
How To Use the Detergent Injector	9		

SERIAL NUMBER:
DATE PURCHASED:
FOR SALES AND SERVICE, PLEASE CONTACT:

INTRODUCTION

Thank you for purchasing a Shark Pressure Washer.

This manual covers the operation and maintenance of the HE-201001D, HE-201007D, HE-251201D, HE-301007D and HE-301001D washers. All information in this manual is based on the latest product information available at the time of printing.

Shark Pressure Washers reserves the right to make changes at any time without incurring any obligation.

The HE Series was designed for maximum use of 1 hour a day, 5 days a week.

Owner/User Responsibility:

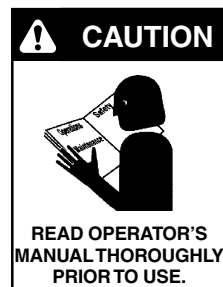
The owner and/or user must have an understanding of the manufacturer's operating instructions and warnings before using this Shark pressure washer. Warning information should be emphasized and understood. If the operator is not fluent in English, the manufacturer's instructions and warnings shall be read to and discussed with the operator in the operator's native language by the purchaser/owner, making sure that the operator comprehends its contents.

Owner and/or user must study and maintain for future reference the manufacturers' instructions.

This manual should be considered a permanent part of the machine and should remain with it if machine is resold.

When ordering parts, please specify model and serial number.

IMPORTANT SAFETY INFORMATION



CAUTION: To reduce the risk of injury, read operating instructions carefully before using.

1. Read the owner's manual thoroughly. Failure to follow instructions could cause malfunction of the machine and result in death, serious bodily injury and/or property damage.
2. All installations must comply with local codes. Contact your electrician, plumber, utility company or the selling distributor for specific details. To comply with the National Electrical code (NFPA 70) and provide additional protection from risk of electric shock, this pressure washer is equipped with a UL approved ground fault circuit interrupter (GFCI) power cord.



WARNING: Flammable liquids can create fumes which can ignite, causing property damage or severe injury. Do not spray flammable liquids.

3. Risk of explosion - do not spray flammable liquids or operate in an explosive location. Operate only where open flame or torch is permitted.



WARNING: Keep water spray away from electrical wiring or fatal electric shock may result.

WARNING: To protect the operator from electrical shock, the machine must be electrically grounded. It is the responsibility of the owner to connect this machine to a UL grounded receptacle of proper voltage and amperage ratings. Do not spray water on or near electrical components. Do not touch machine with wet hands or while standing in water. Always disconnect power before servicing.

Do not spray water on or near electrical components. Do not touch machine with wet hands or while standing in water. Always disconnect power before servicing.

4. Grip cleaning wand securely with both hands before starting the pressure washer. Failure to do this could result in injury from a whipping wand.



WARNING: Equipment can produce a high pressure stream of fluid that can pierce skin and its underlying tissues, leading to serious injury and possible amputation.

5. High pressure developed by these machines will cause personal injury or equipment damage. Use caution when operating. Do not direct discharge stream at people, or severe injury or death will result.
6. Never make adjustments on machine while in operation.



WARNING: High pressure can cause paint chips or other particles to become airborne and fly at high speeds.

7. Eye safety devices, foot protection and protective clothing must be worn when using this equipment.

8. Machines with spray gun should not be operated with the trigger in the off position for extensive periods of time as this may cause damage to the pump.
9. The best insurance against an accident is precaution and knowledge of the machine.
10. Shark will not be liable for any changes made to our standard machines, or any components not purchased from Shark.
11. Be certain all quick coupler fittings are secured before using pressure washer.
12. Never run pump dry or leave spray gun closed longer than 5 minutes.
13. Do not allow children to operate the pressure washer at any time.
14. Protect from freezing.
15. When the machine is working, do not cover or place in a closed space where ventilation is insufficient.

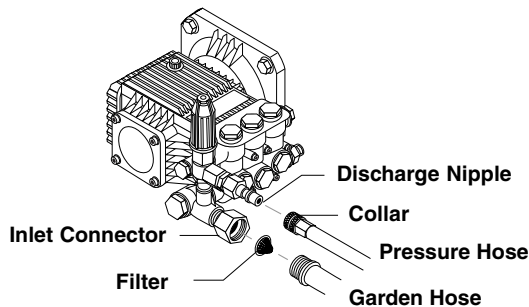
PRE-OPERATION CHECK

- Pump oil (SAE 30W non-detergent oil)
- Cold water supply (5 GPM • 5/8" • 20 PSI)
- Hose, wand, nozzle (nozzle size per serial plate)
- Water filter (intact, non restrictive)
- Proper electrical supply, receptacle and circuit breaker.

SETUP PROCEDURES

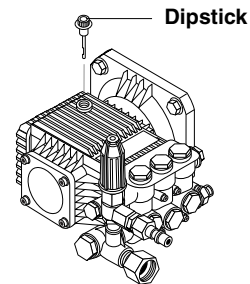
These machines are designed for indoor use. Machine must be stored indoors when not in use.

1. Attach a 5/8" garden hose to inlet connector. Minimum flow should be 5 GPM.



2. Attach high pressure hose to discharge nipple using quick coupler. Lock coupler securely into place by pulling back coupler collar and inserting it onto discharge nipple, then pushing collar forward to lock in place.
3. Attach wand to spray gun using teflon tape on threads to prevent leakage.

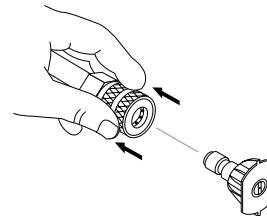
4. Attach connector on discharge hose to spray gun using teflon tape on threads.
5. Remove oil plug on top of pressure washer pump and replace with dipstick supplied. (This may be installed from the factory.)



6. Check oil level on oil dipstick on top of pump. Oil should be visible one half way up sight glass (30W non-detergent).

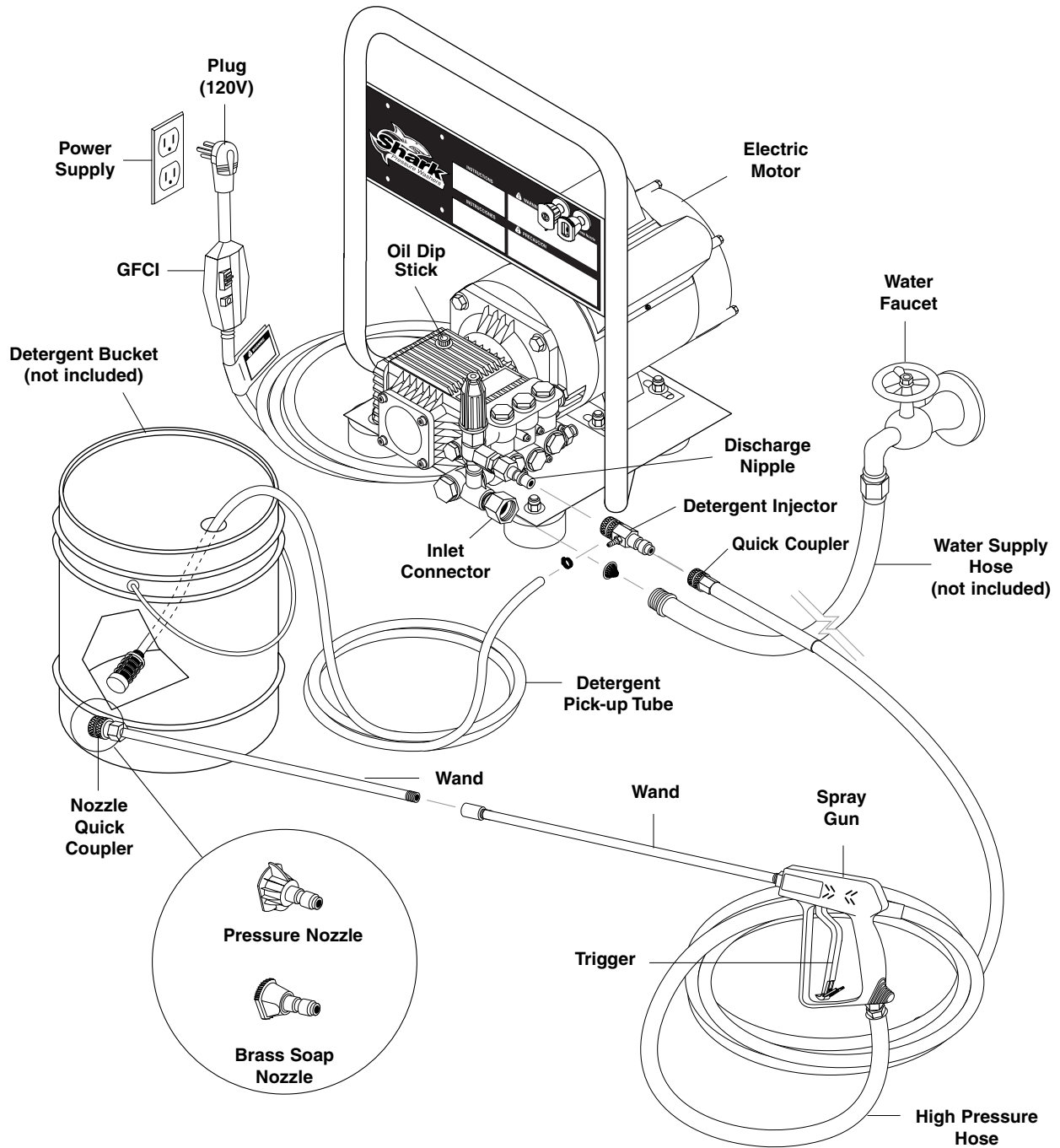
OPERATING INSTRUCTIONS

1. With power switch in OFF position, plug power cord into a grounded type of receptacle of proper voltage and amperage reading. Then push GFCI reset button at end of power cord if required.
2. Turn on water at faucet and pull trigger on spray gun allowing water to flow until all air has discharged from system. Check for water leaks; tighten as needed.



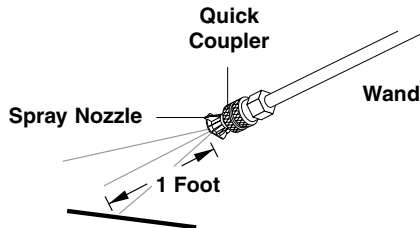
3. Pull wand coupler collar back and insert pressure nozzle into coupler then secure by pushing collar forward.
4. With spray gun off, turn power switch to ON position and check for leaks.
5. With spray nozzle pointed away from you or anybody else, press trigger on spray gun to obtain pressurized spray.

COMPONENT IDENTIFICATION



GENERAL WASHING TECHNIQUES

Hold spray nozzle approximately one foot from the surface being cleaned. Spray at an angle to get under the material and lift it off.



When washing large objects, use detergent injector to apply detergent (see section "How to Use the Detergent Injector"). Start washing from the bottom and work up. Better detergent economy and faster results will be obtained by allowing the detergent to set 5-10 minutes. After washing, rinse from the top down.

Cleaning heavy dirt or material away with a hard stream of clear water is recommended before using a cleaning agent.

SHUTDOWN PROCEDURES

1. Rinse all lines (and injector) with clean water, to remove any soap residue.
2. Turn power switch to OFF position.
3. Turn off water supply.
4. Open spray gun to relieve remaining pressure.
5. Remove water supply hose.
6. In freezing conditions, disconnect water supply and open spray gun to allow water to drain, then turn off motor.

CAUTION: Do not allow pump to run longer than 5 minutes without water. Disconnect all hoses to allow water to drain.

CAUTION: With machine off, open spray gun to release pressure before removing discharge hose.

HOW TO USE THE DETERGENT INJECTOR



WARNING: Some detergents may be harmful if inhaled or ingested, causing severe nausea, fainting or poisoning. The harmful elements may cause property damage or severe injury.

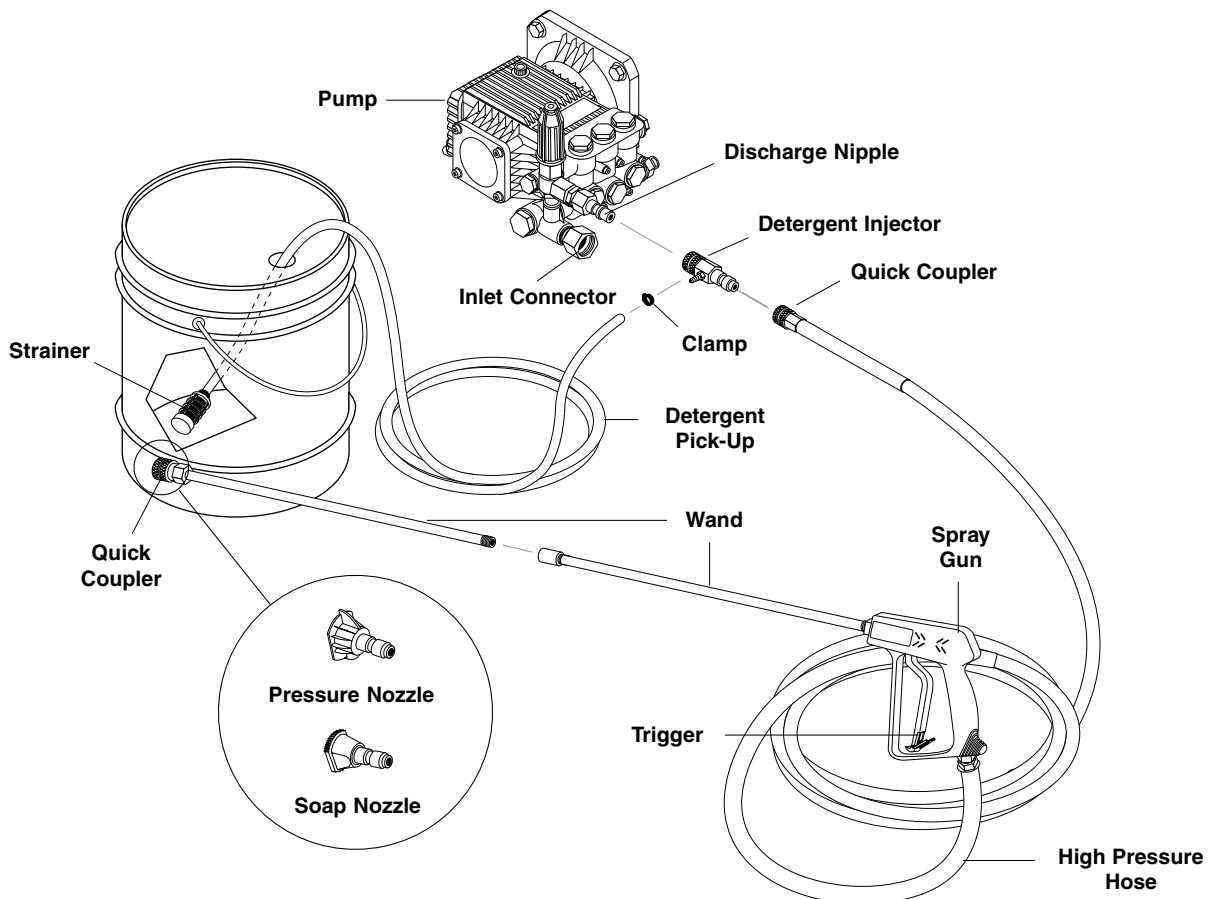
The machine can siphon and mix detergents with the use of Shark's detergent injector kit.

1. Pull injector quick coupler collar back and secure on discharge nipple. Injector valve body arrow should point in direction of flow.
2. Connect high pressure hose to injector nipple securing quick coupler.
3. Start machine as outlined in Operating Instructions.
4. Place detergent pick-up tube into container of detergent solution.

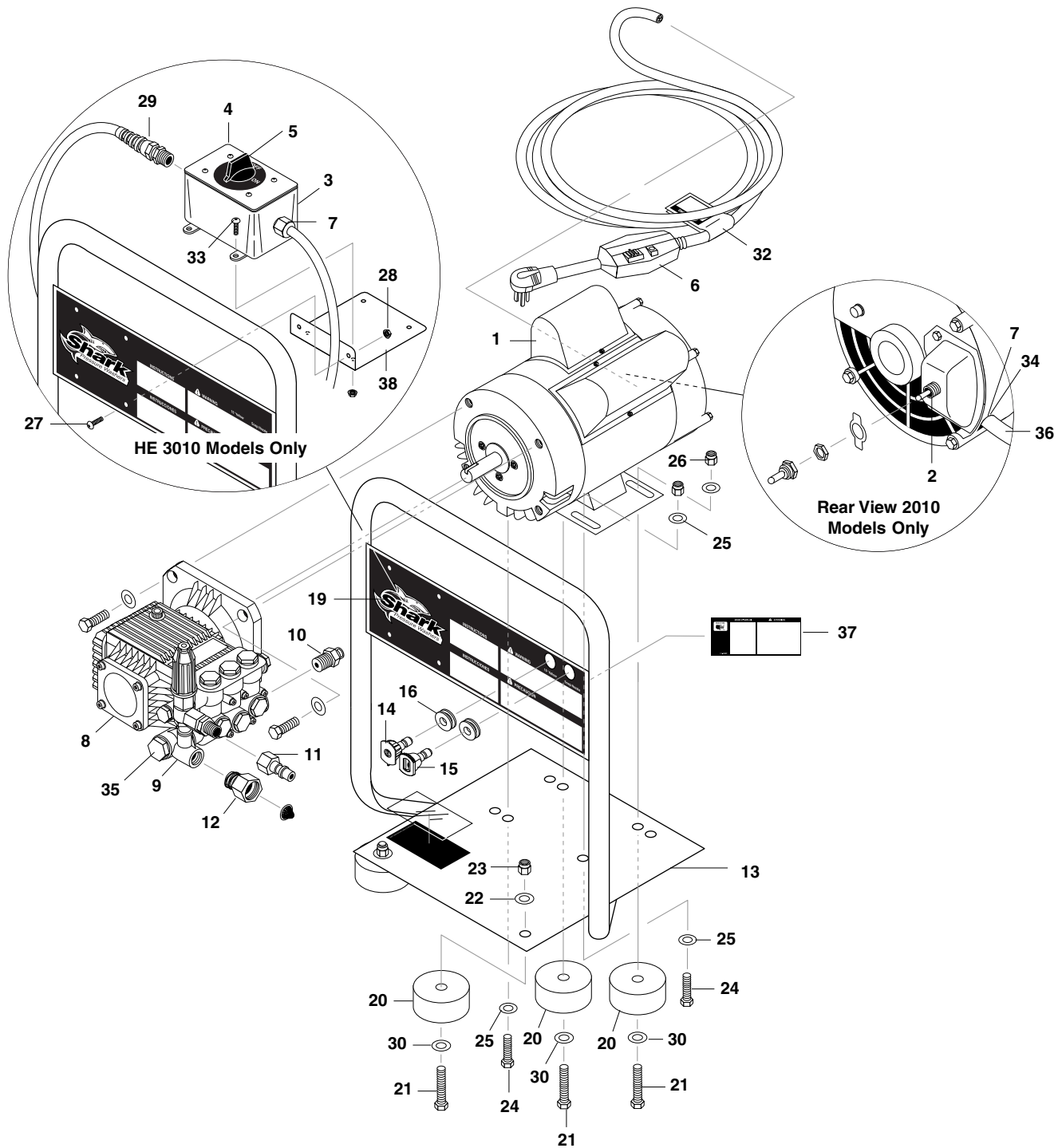
5. Install the brass soap nozzle provided with the injector into the quick coupler of the wand.
6. Open trigger spray gun. Water detergent ratio is approximately 15 to 1.
7. When you finish washing, rinse by simply releasing the trigger spray gun, removing the soap nozzle, and replacing the pressure nozzle back into quick coupler.

NOTE: The detergent injector will not siphon with the high pressure nozzle at the end of the wand.

8. If your machine has a variable pressure wand, turn the pressure control handle counterclockwise to lower the pressure by directing the water flow through the soap nozzle which allows the detergent injector to siphon soap. To rinse with high pressure water, simply turn the control handle clockwise.
9. For clean up, place detergent pick-up tube into container of clear water and follow steps 5 and 8 to prevent detergent deposits from damaging the injector.



EXPLODED VIEW

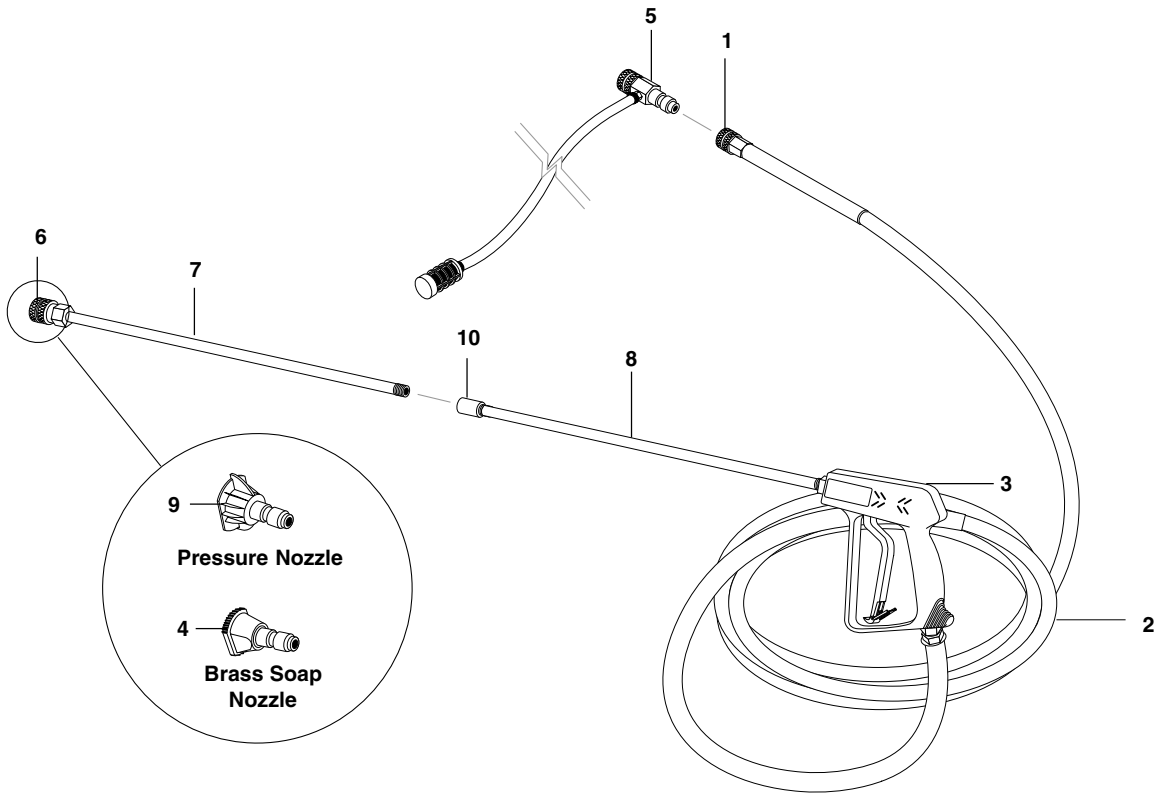


EXPLODED VIEW PARTS LIST

ITEM	PART #	DESCRIPTION	QTY	ITEM	PART #	DESCRIPTION	QTY
1	5-1046	Motor, 1.5 HP, 1 PH, 3450 RPM, C-Face (201001D, 201007D)	1	12	2-10943	Swivel, 3/8" MP x 3/4" GHF w/Strainer	1
	5-1047	Motor, 2 HP, 1 PH, 3450 RPM, (301001D, 301007D)	1	13	95-07200126	Handle Assy	1
	5-1050M	Motor, 2.5 HP 1 PH, 3450 RPM (251201D)	1	14	4-12804015	Nozzle, SAQCMEG 1504 Yellow (201001D, 201007D)	1
2	6-02049	Switch, Toggle, Assy (201001D, 201007D)	1		4-12806015	Nozzle, SAQCMEG 1506 Yellow (301001D, 301007D)	1
3	6-03910	Box, Plastic Carlon (301001D, 301007D, 251201D)	1		4-12804515	Nozzle, SAQCMEG 1504.5 Yellow (251201D)	1
4	6-03911	Lid, Plastic Carlon (301001D, 301007D, 251201D)	1	15	4-16540	Nozzle, Compl. QCEM-6540 w/Bik Nylon (Soap Nozzle)	1
5	6-020204	Switch, 2 Pos. 120V-600V (301001D, 301007D, 251201D)	1	16	2-0103	Grommet, Rubber, Nozzle Holder	2
6	6-01062	GFCI, 120V, 15 amp w/36' 12-3 Cord (201001D, 201007D)	1	19	11-0311	Label, Shark, HE Control	1
	6-01060	GFCI, 120V 20 amp w/36' 12-3 Cord (301001D, 301007D, 251201D)	1	20	2-01041	Pad, Soft Rubber, 50 Duro	4
7	6-05153	Strain Relief, STRT, LQ Tite Medium	2	21	90-1017	Bolt, 3/8" x 1-1/4" NC HH	4
8	5-23001	Pump, General TT9061 EF-B (201001D)	1	22	90-4002	Washer, 3/8" Flat SAE	4
	5-23010	Pump, General TT9071 EF-B (301001D)	1	23	90-2002	Nut, 3/8" ESNA, NC	4
	5-2301	Pump, General, TT 2035 GBF (251201D)	1	24	90-1006	Bolt, 5/16" x 3/4" NC	2
	5-1618	Pump, Legacy WMH-2521-F 2.1 @ 2500 (201007D)	1	25	90-4001	Washer, 5/16" Flat SAE	4
	5-1620	Pump, Legacy WMH-2230-F 3 @ 2200 (301007D)	1	26	90-2001	Nut, 5/16" ESNA, NC	4
9	5-3024	Unloader, General YVB135L	1	27	90-1040	Screw, 10/32" x 1/2" SCKT Cap	4
	5-3150	Unloader, APR.S 2300, 5.3 @ 2300 (201007D, 301007D)	1	28	90-017	Nut, 10/32" Keps	6
10	2-300816	Pump Protector, 3/8" PTP	1	29	6-05154	Strain Relief 90°	1
11	2-2006	Nipple, 3/8" x 3/8" NPT ST Fem	1		6-05181	▲ Locknut, 1/2" Conduit	1
				30	90-40125	Washer, 3/8" x 1", Steel	4
				32	10-08018	Label, Warning, Service Cord	1
				33	90-1991	Screw, 10/32" x 1/2"	6
				34	6-05181A	Locknut, 1/2", 8463	1
				35	2-1044	Plug, 1/8", Countersunk	1
				36	6-0104	Cord, Service, 50WA, 12/3	2 Ft.
				37	11-0350F	Label, French Warning	1
				38	95-07111117	Switch Box BRKT	1

▲ Not Shown

HOSE & SPRAY GUN ASSEMBLY

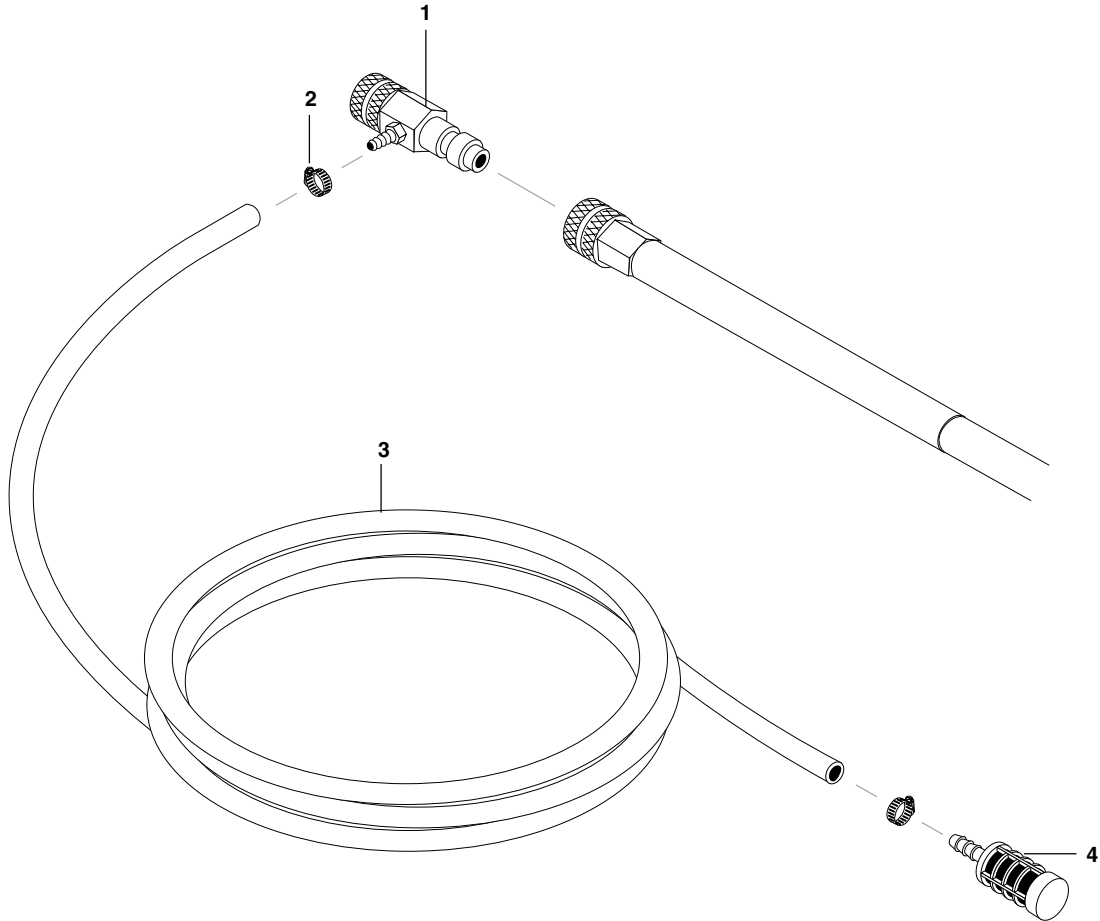


ITEM	PART NO.	DESCRIPTION	QTY
1	2-2002	Coupler, 3/8" Female	1
	2-0121	▲ Quick Coupler O-Ring, Large, 3/8"	1
2	4-02093450BC	Hose w/ Coupler, 50' x 3/8" 100R1, 3000 PSI	1
3	4-01246	Spray Gun, Shut-off, AP-1000	1
4	4-16540	Nozzle Compl, QLEM-6540 w/Blk Nylon	1
5	4-0111831	Detergent Injector Assembly, 1-2 GPM, 0.57 #1 (21001D, 201007D)	1
	4-011184	Detergent Injector Assembly, 3-5 GPM, 0.83 (301001D, 301007D)	1

ITEM	PART NO.	DESCRIPTION	QTY
5	4-011183	Detergent Injector Assy, 2-3 GPM, 0.70 (251201D)	1
6	2-2000	Coupler, 1/4" Female	1
	2-0119	▲ Quick Coupler O-Ring, Small, 1/4"	1
7	4-0110531	Wand, 15.5" Half w/Coupler, Nozzle Side	1
8	4-0110532	Wand, 15.5" Half, Gun Side	1
9		Nozzles, See Breakdown Pgs. 9 & 10	
10	2-1014	Coupling, 1/4" Hex	1

▲ Not Shown

DOWNSTREAM INJECTOR ASSEMBLY



ITEM	PART NO.	DESCRIPTION	QTY
1	4-0111831	Detergent Injector Assembly, 1-2 GPM, 0.57 #1 (2010)	1
	4-011184	Detergent Injector Assembly, 3-5 GPM, 0.83 (3010)	1
	4-011183	Detergent Injector Assembly, 2-3 GPM, 0.70 (2512)	1

ITEM	PART NO.	DESCRIPTION	QTY
2	2-9000	Clamp, Screw, #4	2
3	4-02080000	Tube, 1/4" x 1/2", Clear Vinyl	/ft.6
4	2-1904	Strainer, 1/4", Hose Barb	1

TROUBLESHOOTING

PROBLEM	POSSIBLE CAUSE	SOLUTION
PUMP RUNNING NORMALLY BUT PRESSURE LOW ON INSTALLATION	Pump sucking air	Check water supply and possibility of air seepage.
	Check valves sticking	Check and clean or replace if necessary.
	Unloader valve seat faulty	Check and replace if necessary.
	Nozzle incorrectly sized	Check and replace if necessary.
	Worn piston packing	Check and replace if necessary.
FLUCTUATING PRESSURE	Valves worn	Check and replace if necessary.
	Blockage in valve	Check and replace if necessary.
	Pump sucking air	Check water supply connections.
	Worn piston packing	Check and replace if necessary.
	Insufficient water	Check filter and hose for breakage.
PRESSURE LOW AFTER PERIOD OF NORMAL USE	Nozzle worn	Check and replace if necessary.
	Suction or delivery valves worn	Check and replace if necessary.
	Suction or delivery lines blocked	Check and clean if necessary.
	Unloader valve seat worn	Check and replace if necessary.
	Worn piston package	Check and replace if necessary.
	Water temperature excessive	Reduce to below 160° F.
PUMP NOISY	Air in suction line	Check water supply and connections on suction line.
	Broken or weak suction or delivery valve spring.	Check and replace if necessary.
	Foreign matter in valves	Check and clean if necessary.
	Worn bearings	Check and replace if necessary.
	Water temperature excessive	Reduce to below 160° F.
PRESENCE OF WATER IN PUMP OIL	Oil seal worn	Check and replace if necessary.
	High humidity in air	Check and replace if necessary.
	Piston packing worn	Check and replace if necessary.
WATER DRIPPING FROM UNDER PUMP	Piston packing worn	Check and replace if necessary.
	O-ring plunger retainer worn	Check and replace if necessary.
WATER DRIPPING FROM PUMP PROTECTOR	Water supply pressure too high (over 90 psi)	Lower water supply pressure using regulator.
	Spray gun is in the off position for over 5 minutes	Turn machine off if not in use for over 5 minutes.
OIL DRIPPING	Oil seal worn	Check and replace if necessary.
EXCESSIVE VIBRATION IN HIGH PRESSURE HOSE	Irregular functioning of the pump valves	Check and replace if necessary.
MOTOR DOES NOT START WHEN SWITCHED ON	Plug not well connected or lack of power supply	Check plug, cable and switch.
WHEN SWITCHING ON THE MACHINE, MOTOR HUMS BUT DOES NOT RUN	Main voltage is insufficient, lower than the minimum required.	Check to make sure main power supply is adequate.
	The pump is stuck or frozen	Check by turning the motor manually.
MOTOR STOPS	Tripped thermal overload due to overheating	Check that main voltage corresponds to specifications for the HE. Wait a few minutes before turning on the machine again by resetting the GFCI on the cord.



HE SERIES PRESSURE WASHER WARRANTY

SHARK LIMITED NEW PRODUCT WARRANTY PRESSURE WASHERS

WHAT THIS WARRANTY COVERS

All SHARK PRESSURE WASHERS are warranted by SHARK to the original purchaser to be free from defects in materials and workmanship under normal use, for the periods specified below. This Limited Warranty is subject to the exclusions shown below, is calculated from the date of the original purchase, and applies to the original components only. Any parts replaced under this warranty will assume the remainder of the part's warranty period. This warranty applies to the original purchaser and is not transferable.

LIMITED LIFETIME PARTS WARRANTY:

Components manufactured by SHARK, such as frames, handles, coil wraps, float tanks, and belt guards. All heating coils will have a one year warranty. Internal components on the oil-end of all pressure washer pumps will have a seven year warranty.

ONE YEAR PARTS WARRANTY:

All other components, excluding normal wear items as described below, will be warranted for one year on parts. Warranty on these parts will be for one year regardless of the duration of the original component manufacturer's part warranty.

WARRANTY PROVIDED BY OTHER MANUFACTURERS:

Motors, generators, and engines, which are warranted by their respective manufacturers, are serviced through these manufacturers' local authorized service centers. SHARK cannot provide warranty on these items.

WHAT THIS WARRANTY DOES NOT COVER

This warranty does not cover the following items:

1. Normal wear items, such as nozzles, guns, discharge hoses, wands, quick couplers, seals, filters, gaskets, O-rings, packings, pistons, pump valve assemblies, strainers, belts, brushes, rupture disks, fuses, pump protectors.
2. Damage or malfunctions resulting from accidents, abuse, modifications, alterations, incorrect installation, improper servicing, failure to follow manufacturer's maintenance instructions, or use of the equipment beyond its stated usage specifications as contained in the operator's manual.
3. Damage due to freezing, chemical deterioration, scale buildup, rust, corrosion, or thermal expansion.
4. Damage to components from fluctuations in electrical or water supply.
5. Normal maintenance service, including adjustments, fuel system cleaning, and clearing of obstructions.
6. Transportation to service center, shop labor charges, field labor charges, or freight damage.

WHAT YOU MUST DO TO OBTAIN WARRANTY SERVICE

While not required for warranty service, we request that you register your SHARK pressure washer by returning the completed registration card. In order to obtain warranty service on items, you must return the product to an Authorized SHARK Dealer, freight prepaid, with proof of purchase, within the applicable warranty period. If the product is permanently installed, you must notify your Authorized SHARK Dealer of the defect. The Authorized Dealer will file a claim, which must subsequently verify the defect. In most cases, the part must be returned to SHARK freight prepaid with the claim. For warranty service on components warranted by other manufacturers, the Authorized Dealer can help you obtain warranty service through these manufacturers' local authorized service centers. If you are unable to resolve the warranty claim satisfactorily, write to SHARK at 4275 N.W. Pacific Rim Blvd., Camas, WA 98607, ATTN: Warranty Dept., detailing the nature of the defect, the name of the Authorized Dealer, and a copy of the purchase invoice.

LIMITATION OF LIABILITY

SHARK'S liability for special, incidental, or consequential damages is expressly disclaimed. In no event shall SHARK'S liability exceed the purchase price of the product in question. SHARK makes every effort to ensure that all illustrations and specifications are correct, however, these do not imply a warranty that the product is merchantable or fit for a particular purpose, or that the product will actually conform to the illustrations and specifications. **THE WARRANTY CONTAINED HEREIN IS IN LIEU OF ALL OTHER WARRANTIES, EXPRESS OR IMPLIED, INCLUDING ANY IMPLIED WARRANTY OF FITNESS FOR A PARTICULAR PURPOSE.** SHARK does not authorize any other party, including authorized Dealers, to make any representation or promise on behalf of SHARK, or to modify the terms, conditions, or limitations in any way. It is the buyer's responsibility to ensure that the installation and use of SHARK products conforms to local codes. While SHARK attempts to assure that its products meet national codes, it cannot be responsible for how the customer chooses to use or install the product.

SHARK PRESSURE WASHERS

4275 N.W. Pacific Rim Blvd. • Camas, WA 98607 • USA • 1-800-771-1881



4275 N.W. Pacific Rim Blvd. • Camas, WA 98607 • 1-800-771-1881

Form #97-6129 • Revised 2/02 • Printed in U.S.A.